

**HWDEV-02A**

**GSM THERMOSTAT**

**[www.hwdev.hu](http://www.hwdev.hu)**

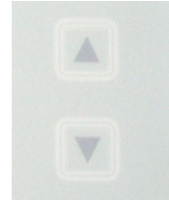
**2010**

# USERS MANUAL

## VOICE CONTROLLED GSM THERMOSTAT

### Temperature set up keyboard

Press Up Key (Increase temperature) maximum 40°C or (95°F USA)  
Press Down Key (Decrease temperature) minimum 06°C or (32°F USA)



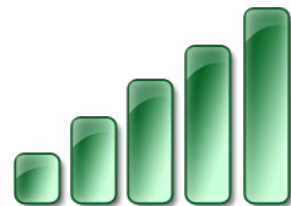
### Temperature set up via GSM call

- Step 1. Call the telephone number of the device
- Step 2. Listen message (Welcome.....and press 4 digit PIN key)
- Step 3. Press PIN code. (four number)
- Step 4. Listen message (Ok thanks)
- Step 4. Press new temperature (two number)
- Step 5. Listen message (Room temperature XX °C set temperature XX °C ) or  
(Room temperature XX °F set temperature XX °F ) USA ver.



### Power turn this together, press the "Up" button

- Step 1. Please wait 15-20sec
- Step 2. The tender value ranges from 0 to 32
- 10-15 Minimal GSM signal detected
- 25-30 Maximum GSM signal detected
- This continuous display until you disconnect the power connector



### Resetting PIN code

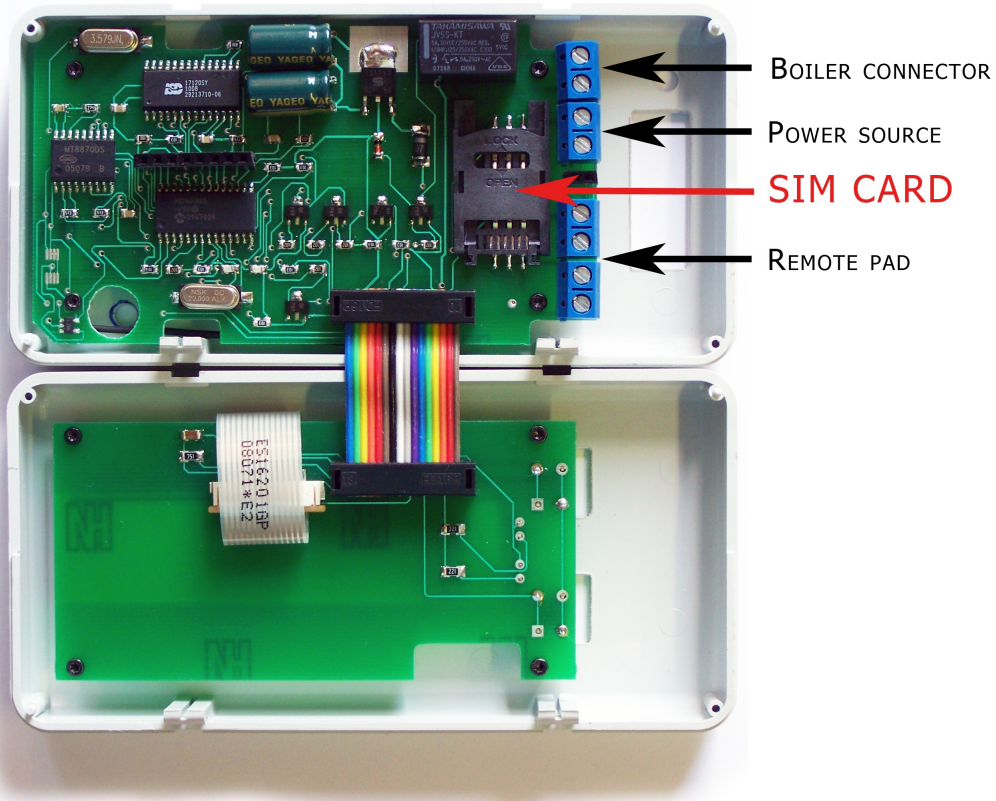
- Step 1. Press Up and Down arrow at once
- Step 2. Search "T32" (Up or Down key)
- Step 3. Press Up and Down arrow at once and finish set up.  
PIN code newly XXXX (e-mail will arrive in)



### Change PIN code via GSM call

- Step 1. Call the telephone number of the device
- Step 2. Listen message (Welcome.....and press 4 digit PIN key)
- Step 3. Press PIN code. (four number)
- Step 4. Listen message (Ok thanks)
- Step 4. Press # key
- Step 5. Listen message (Enter your new id..)
- Step 6. Press four number new pin code.

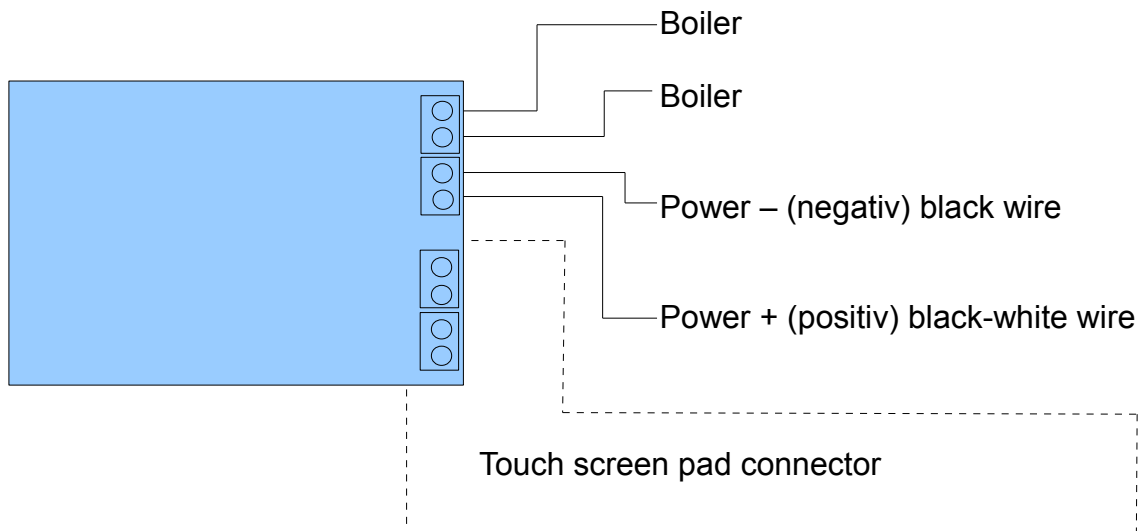
## TECHNICAL DETAILS



Dimension:	131 * 65 * 30 mm
Measurement temp. range:	-0 - +40°C or ( 32-95F USA)
Storage temperature:	-40 - +99°C
Power source:	7.5Volt DC 1000-1500mA
Built in relay:	230VAC max. 5A
Temperature measurement:	Continuing every 10minutes
Sound controller display range:	0-40°C or ( 32-95F USA)

Adjusted climate remote controller type stored EEPROM memory. (Power failure safe)  
 Adjusted temperature stored EEPROM memory.(Power failure safe)

**IMPORTANT:** Insert the SIM card into a common GSM phone. In the menu,find and disable the security function that makes the phone asking for PIN number on start up.



# DIMENSOIN AND OUTLINE DRAWING

